

2MP WDR Starlight Vandal-resistant Fixed Dome Network Camera

IPC322ER3-DUVPF28(40)-B



Key Features

Optics

- Starlight illumination
- Day/night functionality
- SmartIR, up to 30 m (98 ft) IR distance
- Up to 120 dB WDR (Wide Dynamic Range)
- 3D DNR (Digital Noise Reduction)

Compression

- H.265, H.264, MJPEG
- Embedded smart algorithm
- Triple streams
- ROI (Region of Interest)
- Customized OSD

Network

- ONVIF Conformance

Structure

- Wide temperature range: -35°C to 60°C (-31°F to 140°F)
- Wide input voltage range of $\pm 25\%$

- IK10 vandal resistant
- IP67

Specifications

	IPC322ER3-DUVPF28-B	IPC322ER3-DUVPF40-B
Camera		
Sensor	1/2.9", 2 megapixel, progressive scan CMOS	
Lens	2.8 mm@F1.6	4.0 mm@F1.6
Angle of View (H)	105.2°	76.6°
Shutter	Auto/Manual, 1/6~1/100000 s	
Min. Illumination	Colour: 0.002 Lux (F1.6, AGC ON) 0 Lux with IR	
Day/Night	IR-cut filter with auto switch (ICR)	
S/N	>52dB	
WDR	Optical WDR(up to 120dB)	
Noise Reduction	2D/3D	
Video		
Max. Resolution	1920 × 1080	
Video Compression	H.265, H.264,MJPEG	
Frame Rate	1080P (1920*1080): Max. 30 fps; 720P (1280*720): Max. 30 fps; D1 (720×576): Max. 30 fps	
Video Streaming	Triple	
9:16 Corridor Mode	Supported	
ROI	Supported	
Evaluative Metering	Supported	
OSD	Up to 8 OSDs	
Privacy Mask	Up to 8 areas	
Smart		
Behavior Detection	Intrusion, crossing line, motion detection	
Exception Detection	Audio detection	
Intelligent Identification	Face detection, Defocus, Scene Change	
Statistical Analysis	People counting	
Audio		
Audio Compression	G.711	
Two-way audio	Supported	
Storage		
Edge Storage	Micro SD, up to 128 GB	
Network		
Protocols	L2TP, IPv4, IGMP, ICMP, ARP, TCP, UDP, DHCP, PPPoE, RTP, RTSP, RTCP, DNS, DDNS, NTP, FTP, UPnP, HTTP, HTTPS, SMTP, SIP, 802.1x	
Compatible Integration	ONVIF,API	

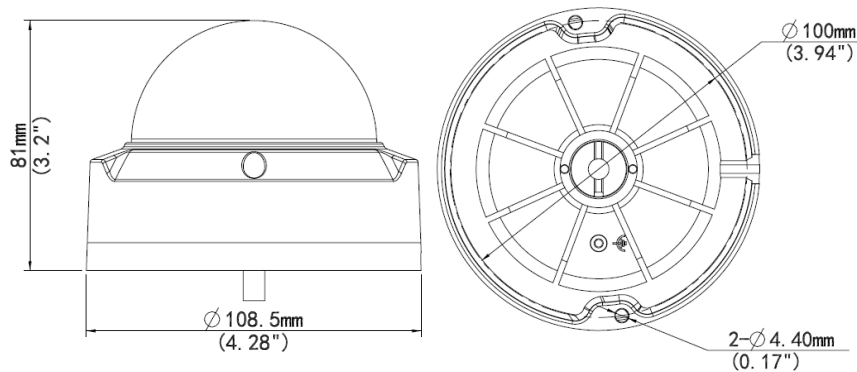
Interface

Audio I/O	Input: impedance 35 k Ω ; amplitude 2 V [p-p]
	Output: impedance 600 Ω ; amplitude 2 V [p-p]
Alarm I/O	1/ 1
Network	10M/100M Base-TX Ethernet

General

Power	12 V DC, or PoE (IEEE802.3 af)
	Power consumption: Max 5.5W
Dimensions (\varnothing x H)	\varnothing 108.5 x 81 mm (\varnothing 4.28" x 3.2")
Weight	0.45 kg (0.99 lb)
Working Environment	-35°C ~ +60°C (-31°F ~ 140°F), Humidity \leq 95% RH(non-condensing)
Ingress Protection	IP67
Vandal Resistant	IK10

Dimensions



Accessories

Installation mode	Accessories	Description
Ceiling mount	Mounting pedestal is included in the product package	TR-JB03-B-IN junction box and TR-A01-IN waterproof joint for the junction is optional
Wall mount	TR-WM03-A	For indoor wall installation, excluding junction box
	TR-JB07/WM03-A-IN	For outdoor wall installation, including junction box
Pole mount	TR-WM03-A +TR-UP06-IN	For indoor wall installation, excluding junction box
	TR-JB07/WM03-A-IN+TR-UP06-IN	For outdoor wall installation, including junction box
Pendant mount	TR-UF45-D-IN+TR-CE45-IN	For indoor pendent installation
Tilted mounting	TR-UM06-B-IN	\

Zhejiang Uniview Technologies Co., Ltd.

South Tower, Building 10, Wanlun Science Park, 88 Jiangling Road, Hangzhou, P.R.China 310051

 Email: overseasbusiness@uniview.com; globalsupport@uniview.com
<http://www.uniview.com>

©2016 -2017Zhejiang Uniview Technologies Co., Ltd. All rights reserved.

*Product specifications and availability are subject to change without notice.