

## SHEARLOCK ELECTROMAGNETIC LOCKS 540 DaN

- Simple or double action door mounting
- Horizontal or vertical mounting
- Product status sensor : CTC model

EP1

### TECHNISCHE GEGEVENS

	<b>Electromagnet :</b>	30 x 180 x 27
	<b>Armature Plate :</b>	29,5 x 180 x 33
	12-24V DC	420/210 mA
<b>PRODUCT STATUS SENSOR (HALL) :</b>		Locked / Unlocked
	540*	
	30V DC / 3 A	
		-10 +60 °C



SH540

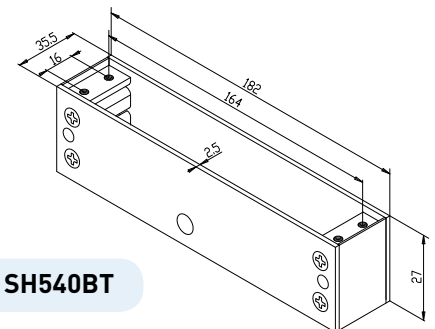
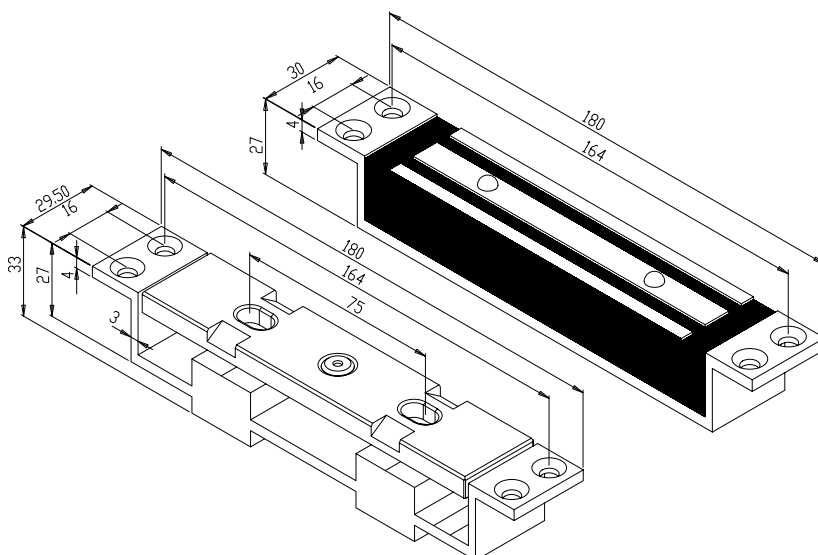
\* Maximal theoretical holding force for implementation fulfilling optimal installation conditions.

## SHEARLOCK ELECTROMAGNETIC LOCK 540 DaN

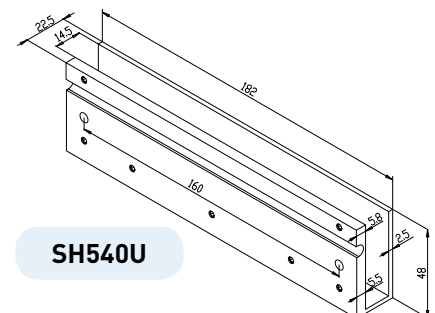
<b>SH540</b>	Shearlock electromagnetic lock 540 DaN 12-24V DC		1,2 kg
<b>SH540CTC</b>	Shearlock electromagnetic lock 540 DaN 12-24V DC + contact		1,2 kg

## ACCESSORIES

<b>SH540BT</b>	Surface housing for SH540 (2 pcs) with 4 spacers		0,5 kg
<b>SH540U</b>	U bracket for glass door for SH540BT - by pair Glass thickness : 14 mm max.		0,4 kg



SH540BT



SH540U