

JB-161N-PLUG Smart wireless plug (Schuko)

JB-161N-PLUG is a bidirectional wireless component of JABLOTRON system. It can copy PG output when it is enrolled to JA-10xK control panel. Safe separation of relay contact for power load switch up to 250 V/16 A (4000 W) is provided by the plug. The plug occupies one position in the system. The device should be installed by a trained technician with a valid certificate issued by an authorised distributor.

You can control the relay by the button (2) on the front panel.

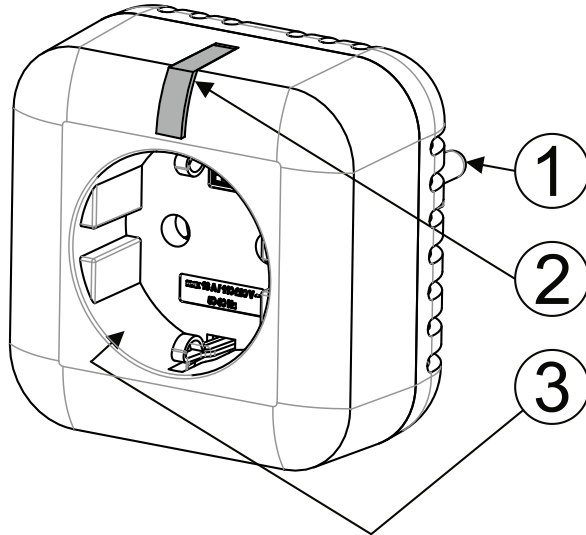


Fig. 1: 1 – UniSchuko plug; 2 – function button/indicator; 3 – Schuko socket

Installation



The switch is intended to single pole switching, does not ensure safety disconnection

Turn on the product by plugging it into the power outlet. For a proper function of the smart plug and the possibility to control via app, it is necessary to install a radio module JA-11xR into the system. The plug occupies one position in the system.

1. Plug the product into the power outlet.
2. Proceed according to the control panel installation manual.

Basic procedure:

- a. When the plug is switched on, the yellow LED (2) indicates that the plug has not been enrolled into the system.
- b. In the F-Link software, select the required position in the Devices tab and launch the enrollment mode by clicking on the Enroll option.
- c. Press the enrollment button (2). When the device is enrolled, the LED status will change from yellow to green.

Settings the properties

Setting are located in **F-link** in **Device** tab – **Internal settings**.

Reacts to PG – you can set the PG that the plug will copy.

Button controls the PG – you can set the PG that is activated by the button (2).

Optical indication:

- Indicates permanently – status of PG output is indicated permanently.
- By status change – status of PG output is indicated for 3 s after a change.
- Disabled – indication is turned off for status of PG output and for it's change.

Smart plug operation

Status of relay is indicated by a backlit button (2).

Green – relay is turned off, the socket is not powered.

Red – relay is turned on, the socket is powered and connected devices also.

Yellow – indicates fault of communication with control panel or the status that it is not enrolled to the system.

Notes:

- In case of power loss or communication loss longer than 20 minutes, the relay is turned off. Communication loss is indicated by yellow permanent light.
- After recovery of the power or communication with control panel, the plug will restore status according to the assigned PG.

Technical specifications

Power supply	110–230 V/50–60 Hz
Power consumption at 230 V AC (min/max)	0.4 W/1 W
Communication band	868.1 MHz, Jablotron protocol
Maximum radio-frequency power (ERP)	25 mW
Antenna	internal
Relay contact load ability – class protection II + FE:	
Maximum acceptable relay voltage	250 V AC
Resistive load ($\cos \varphi = 1$)	max. 16 A
Inductive, capacitive load ($\cos \varphi = 0.4$)	max. 8 A
Dimensions	70 x 70 x 77.6 mm
Weight	105 g
Operating temperature range	-10 °C to + 40 °C
Average operating humidity	75% RH, non-condensing
In compliance with	ETSI EN 300 220-1,2, EN 50130-4, EN 55032, EN 62368-1, EN IEC 6300
Can be operated according to	ERC REC 70-03



JABLOTRON ALARMS a.s. hereby declares that the JB-161N-PLUG product is in a compliance with the relevant Union harmonisation legislation: Directives No.: 2014/53/EU, 2014/35/EU, 2014/30/EU, 2011/65/EU if it is used as intended. The original of the conformity assessment can be found at www.jablotron.com - Section Downloads.



Note: Disposing of this product correctly will help save valuable resources and prevent any potential negative effects on human health and the environment, which could otherwise arise from inappropriate waste handling. Please return the product to the dealer or contact your local authority for further details of your nearest designated collection point.

