

# The JB-110N BUS power PG output module

The JA-110N is a component of the **JABLOTRON 100+** system. It provides an output power relay switch. It can be used for switching on/off the lights, ventilators, etc. The relay can be controlled with a programmable control panel (PG) output or according to the status of a section (set = relay on) or when there is an alarm in a chosen section (alarm = relay on). The device should be installed by a trained technician with a valid certificate issued by an authorized distributor.

## Installation

The module must be installed into the JA-19xPL mounting box (by Jablotron) or into the control panel box to meet the class II protection - the module must always be attached to the spacers in the bottom part of the mounting box using the supplied mounting material. In the case of failure to follow the installation procedure mentioned above the manufacturer assumes no liability for any damage or injury. In order to comply with the security grade 2 classification, the module must be installed into the JA-194PL or JA-195PL mounting box together with the JA-111H TRB module.

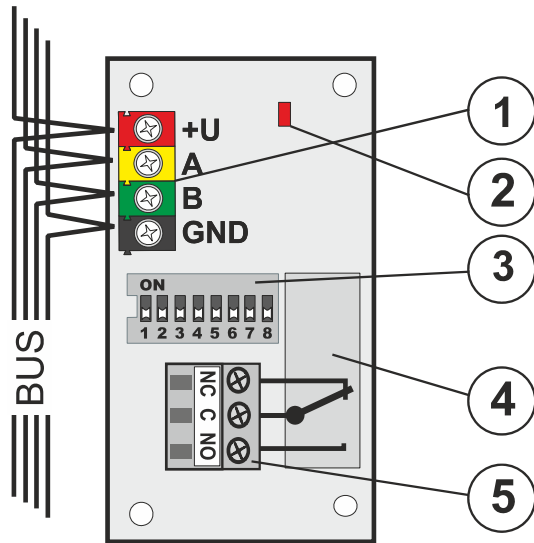


Figure: 1 – BUS terminals; 2 – red relay switching indicator; 3 – configuration switch; 4 – output relay; 5 – relay terminals

- Use the switch (3) to set the required number of the PG output or the number of the section to which the relay should react (see tables).
- Connect BUS wires to the terminals (1).

**When connecting the module to the system BUS, always switch the power off.**



**If the module is installed outside the protected area, the JA-110T BUS insulator should be used for the external section of the wiring.**

**Electrical devices can only be connected by an authorized technician!**

- Switch on the system and test its functioning.
- Check the supply voltage at the BUS terminals (red, black) when the relay is activated. The voltage must be at least 9 V.
- Connect the controlled device to the relay output terminals (5).

### Notes:

- The module does not occupy any position in the control panel (it is not enrolled into the system).
- If you enroll multiple modules with identical settings to the system, they will have the same reaction.
- The number of modules is only limited by the power consumption from the BUS.
- The setting of individual programmable outputs is done in the **PG outputs** window in the F-Link software. A detailed description of the setting is available in the control panel installation manual.
- If the output reacts to a setting of a section, it is triggered when the selected section is fully set.
- If the output reacts to an alarm, it is triggered when there is external or internal warning (EW or IW).

ON	PG	ON	PG	ON	PG	ON	PG
1	1	9	9	17	17	25	25
2	2	10	10	18	18	26	26
3	3	11	11	19	19	27	27
4	4	12	12	20	20	28	28
5	5	13	13	21	21	29	29
6	6	14	14	22	22	30	30
7	7	15	15	23	23	31	31
8	8	16	16	24	24	32	32
33	33	41	41	49	49	57	57
34	34	42	42	50	50	58	58
35	35	43	43	51	51	59	59
36	36	44	44	52	52	60	60
37	37	45	45	53	53	61	61
38	38	46	46	54	54	62	62
39	39	47	47	55	55	63	63
40	40	48	48	56	56	64	64
65	65	73	73	81	81	89	89
66	66	74	74	82	82	90	90
67	67	75	75	83	83	91	91
68	68	76	76	84	84	92	92
69	69	77	77	85	85	93	93
70	70	78	78	86	86	94	94
71	71	79	79	87	87	95	95
72	72	80	80	88	88	96	96
97	97	105	105	113	113	121	121
98	98	106	106	114	114	122	122
99	99	107	107	115	115	123	123
100	100	108	108	116	116	124	124
101	101	109	109	117	117	125	125
102	102	110	110	118	118	126	126
103	103	111	111	119	119	127	127
104	104	112	112	120	120	128	128

Table 1: The output reacts to the PG output state.

# The JB-110N BUS power PG output module

ON 1 2 3 4 5 6 7 8 SC 1	ON 1 2 3 4 5 6 7 8 SC 9	ON 1 2 3 4 5 6 7 8 AL 1	ON 1 2 3 4 5 6 7 8 AL 9
ON 1 2 3 4 5 6 7 8 SC 2	ON 1 2 3 4 5 6 7 8 SC 10	ON 1 2 3 4 5 6 7 8 AL 2	ON 1 2 3 4 5 6 7 8 AL 10
ON 1 2 3 4 5 6 7 8 SC 3	ON 1 2 3 4 5 6 7 8 SC 11	ON 1 2 3 4 5 6 7 8 AL 3	ON 1 2 3 4 5 6 7 8 AL 11
ON 1 2 3 4 5 6 7 8 SC 4	ON 1 2 3 4 5 6 7 8 SC 12	ON 1 2 3 4 5 6 7 8 AL 4	ON 1 2 3 4 5 6 7 8 AL 12
ON 1 2 3 4 5 6 7 8 SC 5	ON 1 2 3 4 5 6 7 8 SC 13	ON 1 2 3 4 5 6 7 8 AL 5	ON 1 2 3 4 5 6 7 8 AL 13
ON 1 2 3 4 5 6 7 8 SC 6	ON 1 2 3 4 5 6 7 8 SC 14	ON 1 2 3 4 5 6 7 8 AL 6	ON 1 2 3 4 5 6 7 8 AL 14
ON 1 2 3 4 5 6 7 8 SC 7	ON 1 2 3 4 5 6 7 8 SC 15	ON 1 2 3 4 5 6 7 8 AL 7	ON 1 2 3 4 5 6 7 8 AL 15
ON 1 2 3 4 5 6 7 8 SC 8	SECTION: SET	ON 1 2 3 4 5 6 7 8 AL 8	SECTION: ALARM

Table 2: The output reacts to setting the chosen section

Table 3: The relay reacts to an alarm in the chosen section

## Technical specifications

Power	from control panel BUS 12 V DC (9 ... 15 V)
Current consumption (relay off/on)	5 mA/45 mA
Current consumption for cable selection	45 mA
Relay contact rating:	
Maximum switched voltage	250 V AC
Maximum current - resistive load (cosφ=1)	16 A
Maximum current - inductive (capacitive) load (cosφ=0.4)	8 A
Minimum acceptable relay output through-wattage (DC)	0.5 W
Protection	Class II
Dimensions	78 x 40 x 20 mm
Weight	34 g
Classification	Security grade 2/Environmental class II (according to EN 50131-1)
	Only when installed into the JA-194PL or JA-195PL mounting box together with the JA-111H TRB module!
Operational environment	indoor general
Operational temperature range	-10 °C to +40 °C
Average operational humidity	75 % RH, non-condensing
Certification body	Trezor Test s.r.o. (no. 3025)
Complies with	EN 50131-1 ed. 2+A1+A2, EN 50131-3, EN 50130-4 ed. 2+A1, EN 55032, EN 62368-1, EN 50581



JABLOTRON ALARMS a.s. hereby declares that the JB-110N is in a compliance with the relevant Union harmonisation legislation: Directives No: 2014/35/EU, 2014/30/EU, 2011/65/EU, when used as intended. The original of the conformity assessment can be found at [www.jablotron.com](http://www.jablotron.com) – Section Downloads.



**Note:** Although this product does not contain any harmful materials we suggest you return the product to the dealer or directly to the producer after use. For more detailed information visit [www.jablotron.com](http://www.jablotron.com).