

## STAINLESS STEEL SURFACE ELECTROMAGNETIC LOCK 370 DaN

• Product status sensor : CTC model

### CHARACTERISTICS

EB8

	<b>Electromagnet :</b>	46 x 220 x 28
	<b>Armature Plate :</b>	44 x 182 x 12
	12-24V DC	500/250 mA
<b>PRODUCT STATUS SENSOR (REED) :</b>		Locked / Unlocked
	67	
	370*	
		max. 24V DC / 1 A

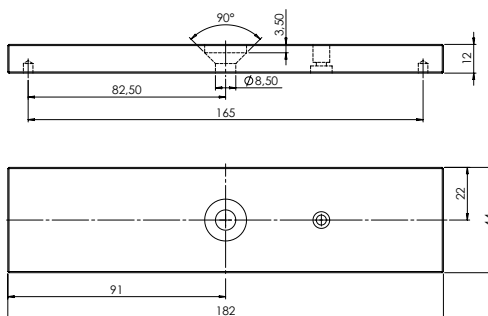
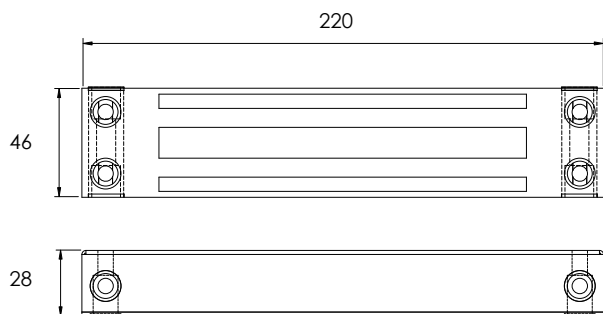


EXT400CTC

\* Maximal theoretical holding force for implementation fulfilling optimal installation conditions.

## SURFACE ELECTROMAGNETIC LOCK STAINLESS STEEL 370 DaN

<b>EXT400CTC</b>	Surface electromagnetic lock stainless steel 370 DaN 12-24V DC outdoor use + contact	2,7 kg
------------------	---	--------



## ACCESSORIES

### ADJUSTABLE L BRACKET FOR EXT400CTC

<b>EXT400L</b>	Adjustable L bracket for EXT400CTC	0,3 kg
----------------	------------------------------------	--------

### ADJUSTABLE Z BRACKET FOR EXT400CTC

<b>EXT400Z</b>	Adjustable Z bracket for EXT400CTC	0,5 kg
----------------	------------------------------------	--------

