

STAINLESS STEEL SURFACE ELECTROMAGNETIC LOCK 180 DaN

• Product status sensor : CTC model

CHARACTERISTICS

EB8

| | | |
|---------------------------------------|-------------------------|-------------------|
| | Electromagnet : | 34,5 x 165 x 27,5 |
| | Armature Plate : | 33 x 130 x 11 |
| | | |
| | 12-24V DC | 500/250 mA |
| PRODUCT STATUS SENSOR (REED) : | | Locked / Unlocked |
| | 67 | |
| | 180* | |
| | | max. 24V DC / 1 A |

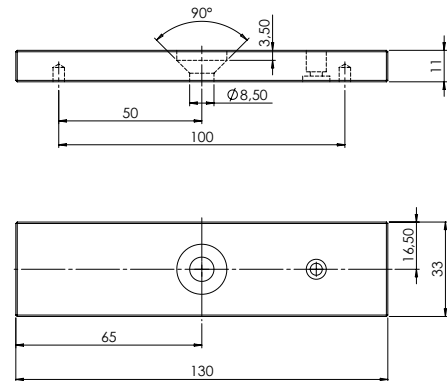
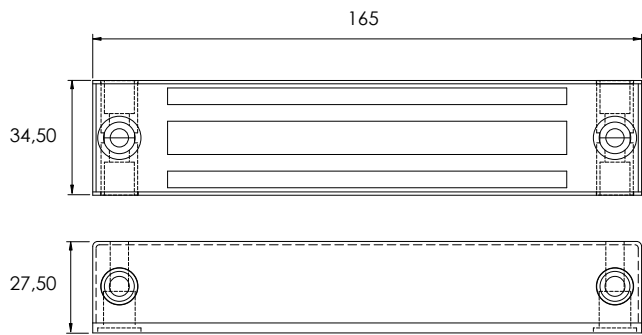


EXT200CTC

* Maximal theoretical holding force for implementation fulfilling optimal installation conditions.

SURFACE ELECTROMAGNETIC LOCK STAINLESS STEEL 180 DaN

| | | |
|------------------|--|--------|
| EXT200CTC | Surface electromagnetic lock stainless steel 180 DaN 12-24V DC outdoor use + contact | 1,5 kg |
|------------------|--|--------|



ACCESSORIES

ADJUSTABLE L BRACKET FOR EXT200CTC

| | | |
|----------------|------------------------------------|--------|
| EXT200L | Adjustable L bracket for EXT200CTC | 0,1 kg |
|----------------|------------------------------------|--------|

ADJUSTABLE Z BRACKET FOR EXT200CTC

| | | |
|----------------|------------------------------------|---------|
| EXT200Z | Adjustable Z bracket for EXT200CTC | 0,25 kg |
|----------------|------------------------------------|---------|

