

STAINLESS STEEL SURFACE ELECTROMAGNETIC LOCK 180 DaN

• Product status sensor : CTC model

EB8

CHARACTERISTICS

	Electromagnet :	34,5 x 165 x 27,5
	Armature Plate :	33 x 130 x 11
	12-24V DC	500/250 mA
PRODUCT STATUS SENSOR (REED) :		Locked / Unlocked
	67	
	180*	
		max. 24V DC / 1 A

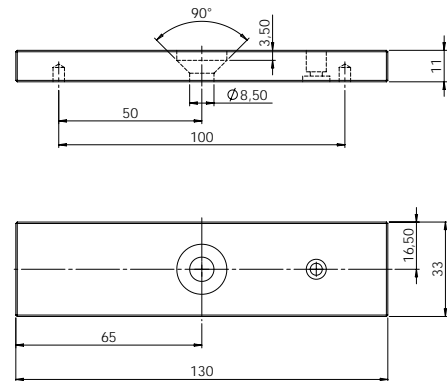
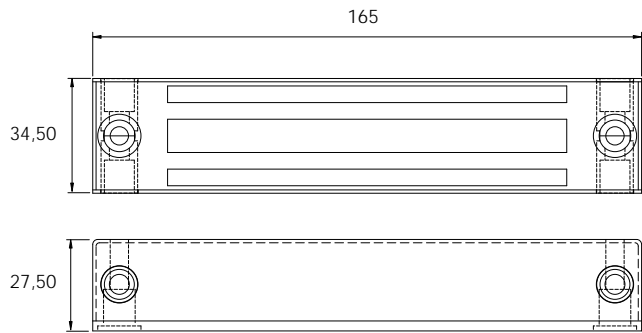


EXT200CTC

* Maximal theoretical holding force for implementation fulfilling optimal installation conditions.

SURFACE ELECTROMAGNETIC LOCK STAINLESS STEEL 180 DaN

EXT200CTC	Surface electromagnetic lock stainless steel 180 DaN 12-24V DC outdoor use + contact	1,5 kg
------------------	--	--------



ACCESSORIES

ADJUSTABLE L BRACKET FOR EXT200CTC

EXT200L	Adjustable L bracket for EXT200CTC	0,1 kg
----------------	------------------------------------	--------

ADJUSTABLE Z BRACKET FOR EXT200CTC

EXT200Z	Adjustable Z bracket for EXT200CTC	0,25 kg
----------------	------------------------------------	---------

