

MOUNTING ACCESSORIES

for VELMAG® surface electromagnetic locks EF300

- Reinforced resistance by ridges
- High accuracy adjustment
- Z bracket in common with EF300 and EF550 series
- Z bracket offering fine and definitive fitting



EF300L

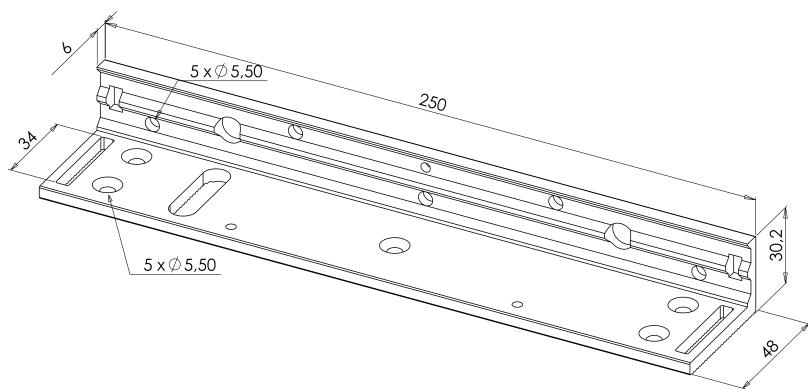


EF300/550Z

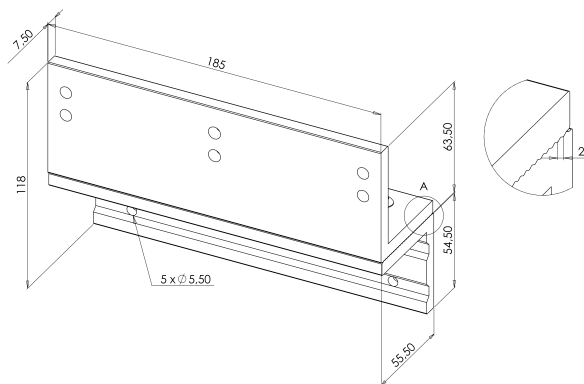


High strength aluminium type 6061/T6

Item Code	Description	Weight in kg	Custom code
EF300L	Adjustable L bracket for EF300 range	0,24	83014019
EF300/550Z	Adjustable Z bracket for EF300 / EF550 range	0,9	83014019



EF300L



EF300/550Z

