

ACCESSORIES FOR EF150 SERIES

L MOUNTING BRACKET FOR PUSH DOORS

EBA

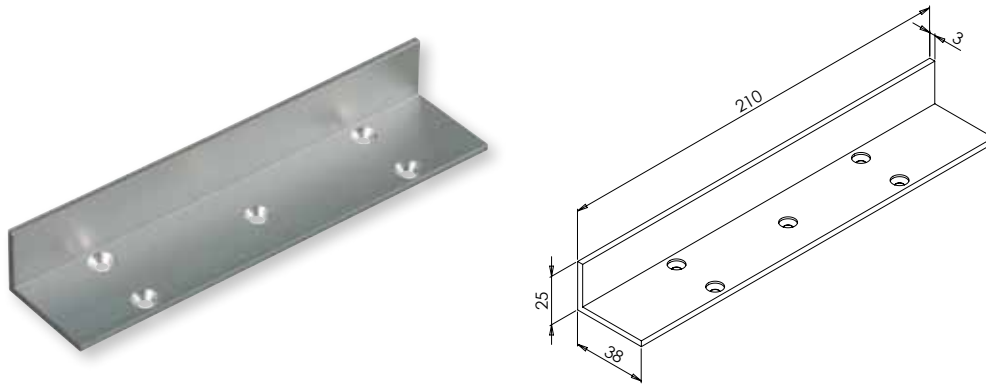


EF150L

L bracket for EF150 range



0,1 kg



ADJUSTABLE Z AND L BRACKET

EBA

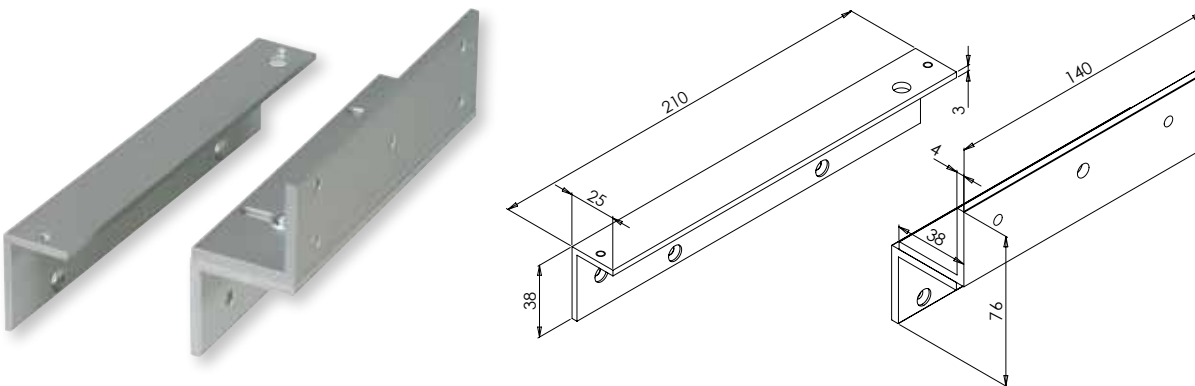


EF150ZL

ZL bracket for EF150 range



0,4 kg



U BRACKET FOR GLASS DOORS

EBA

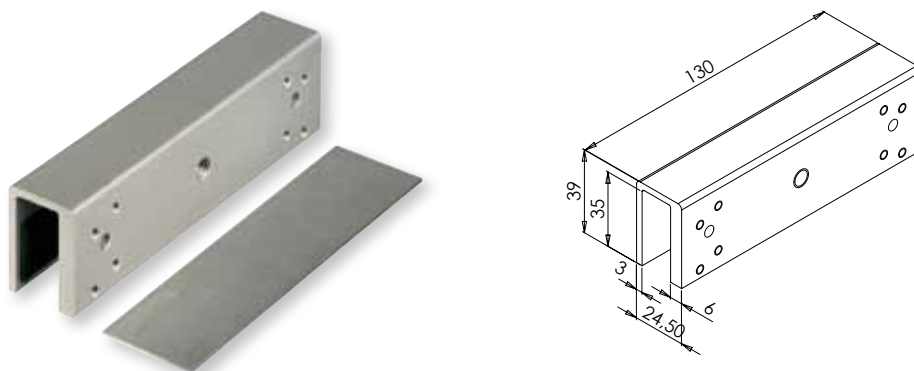


EF150U

U bracket for glass door 10-13 mm for EF150 range



0,2 kg



Caution :
TWO mounting accessories
required for DOUBLE
ELECTROMAGNETIC LOCKS