

DS-KABD8003-RS1/S

Video Intercom Module Door Station Protective Shield



- Convenient design available for the 1 module surface mounting of the modular door station (DS-KD8003-IME1 or DS-KD8003-IME2)
- Material: Stainless Steel

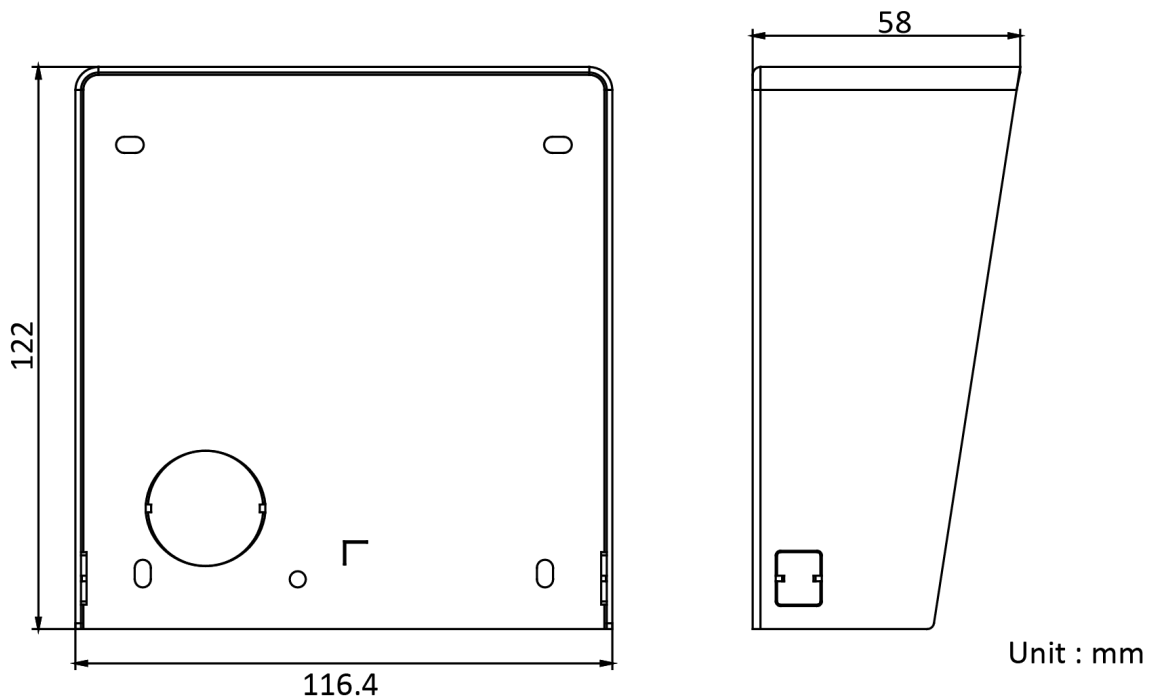
▪ Specification

General	
Working temperature	-40 °C to 60 °C (-40 °F to 140 °F)
Weight	Net weight: 0.290 kg
	Gross weight: 0.494 kg
Working temperature	-40 °C to 60 °C (-40 °F to 140 °F)
Working humidity	10% to 95% (No condensing)
Dimension (W × H × D)	116.4 × 122 × 58 mm (4.58" × 4.80" × 2.28")
Material	Stainless steel

▪ Available Model

DS-KABD8003-RS1/S

▪ Dimension



▪ Accessory



DS-KD8003-IME1(B)/NS



DS-KD-PMR



DS-KD8003Y-IME2/S



DS-KD8003-IME1(B)/S



DS-KD8003Y-IME2/NS

Headquarters

No.555 Qianmo Road, Binjiang District,
Hangzhou 310051, China
T +86-571-8807-5998
www.hikvision.com



Follow us on social media to get the latest product and solution information.

