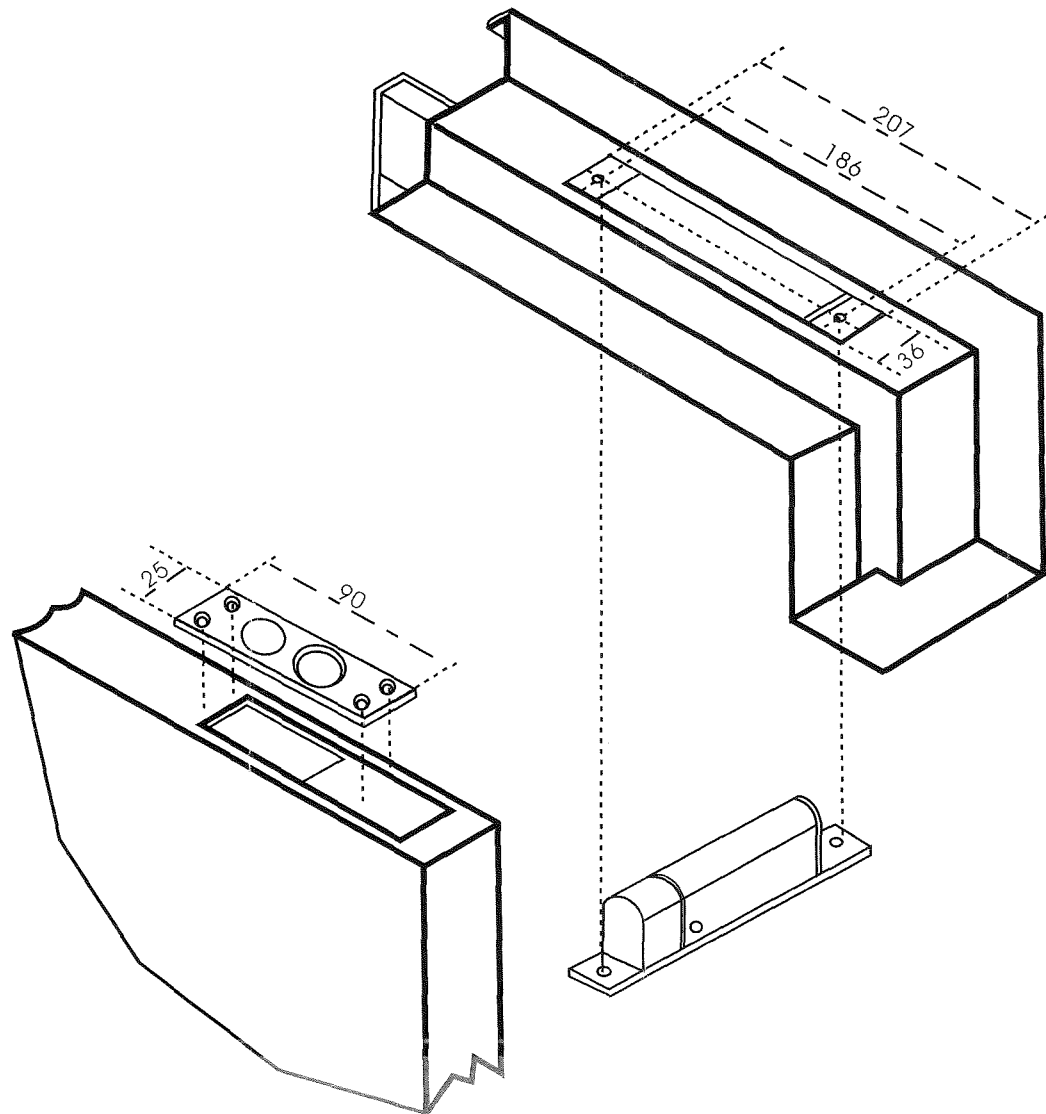


ELECTRIC BOLT



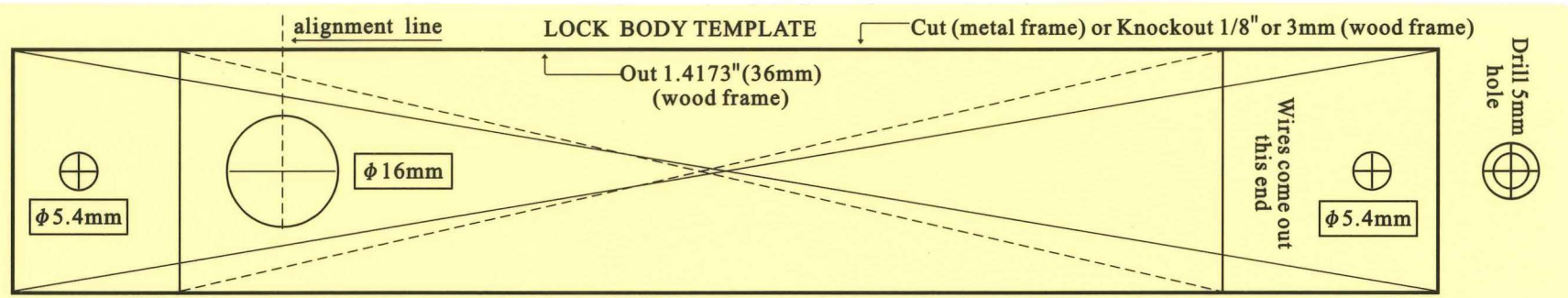
low temperature standard electric bolt

1. Specification:
standard voltage: 12VDC 1A
Red---Positive (+) Black---negative (-)
voltage: start 950mA. Standby 100mA.
solenoid: super low temperature continuous duty.
fail safe: locked when energized, power to locked, fail unlocked.
protecting designed:
Bolt dimension : 16mm DIA , stainless steel : 16mm throw.
cutout : 207mm(L)x36mm(W)(40mm back set minimum must be present)
cover plate : 215mm(L)x41mm(W)x0.5mm(D).
face plate : 205mm(L)x35mm(W) x3mm (D)

The excellence of our electric bolt

1. excellent designed ,solid and durable ,100% safe.
2. up to date design ,super low use ,continuously work.
3. low temperature design;more safe ,credible,durable.
4. professional electrical locks, excellent manufacture.
5. authoritative attestation: MA, CE
6. high grade material, exquisite producing ,warranty :2 years.
7. products are popular in the world ,and cooperate with great manufactures.

Drill 5mm hole



Drill 5mm hole



Note-for vertical mounting, wires must come out from the top of the unit. →